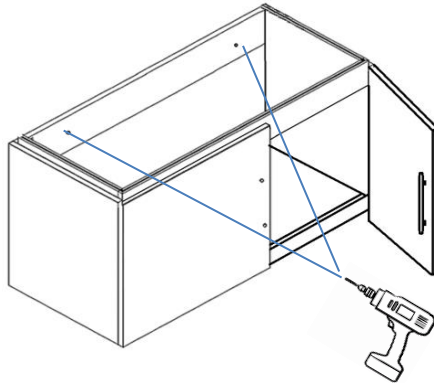


Vanity Basin and Unit - Floor Standing Installation and Maintenance

PLEASE READ THIS INSTRUCTION GUIDE FULLY PRIOR TO COMMENCING ANY PART OF THE INSTALLATION

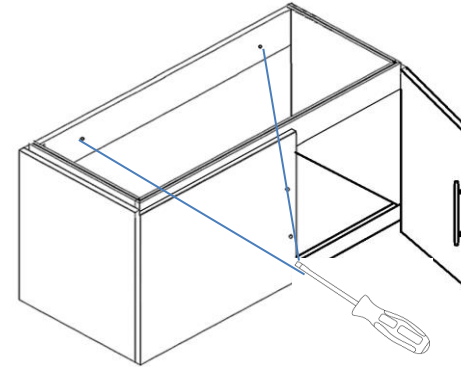
1

Check the wall for pipes and wires before drilling, drill through the back plinth into the wall in the desired location, ensuring the unit is level



2

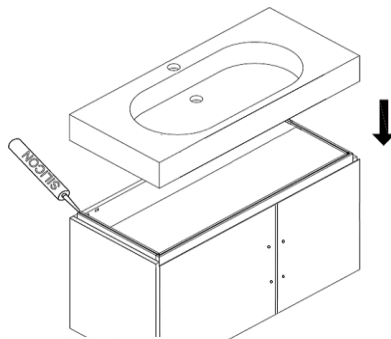
Secure the unit to the wall using a suitable wall fixing for your wall type (fixings not supplied with unit) ie plug and screw for solid walls



On receipt of the product check for damage prior to commencement of any installation.
Damage notified after or during installation will be deemed as installation damage

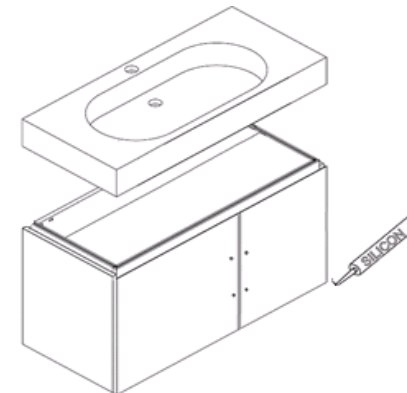
3

Apply a bead of silicone between the basin and the unit
Place the basin/top onto the unit, again ensuring all parts are level
Also apply silicone at any join between the basin and walls



4

It is recommended to silicone around the base of the unit, to prevent water from passing between the unit and the floor



Leave all silicone to dry for at least 24 hours before use

Vanity Basin and Unit - Floor Standing Installation and Maintenance

PLEASE READ THIS INSTRUCTION GUIDE FULLY PRIOR TO COMMENCING ANY PART OF THE INSTALLATION

CLEANING AND MAINTENANCE

To maintain the surface of your product, please ensure:

The room is well ventilated

Excess water which may sit on the surface of the product is wiped dry

Any bathroom products used which may splash onto the surface are wiped clean and dry

Use only a clean damp cloth to wipe clean and a clean dry cloth to dry, do not use any abrasive cleaning agents/materials

Use of these will invalidate your guarantee

Thank you for choosing Better Bathrooms.
Please read this user manual before installation or use and keep it safe for future reference.
[Visit our website www.BetterBathrooms.com](http://www.BetterBathrooms.com) for our entire range of products